



SISTEMI SPLIT PER SALE DI LAVORAZIONE

SPLIT SYSTEM FOR FOOD PREPARATION AREAS

**TH...DF**



Serie split - con aeroevaporatore doppio flusso  
Split range - with dual air flow ceiling unit coolers

**R404A**

**HBP**

Campo di esercizio (Te)  
Operating range (Te)

+15°C ÷ +8°C

Potenza compressore  
Compressor power

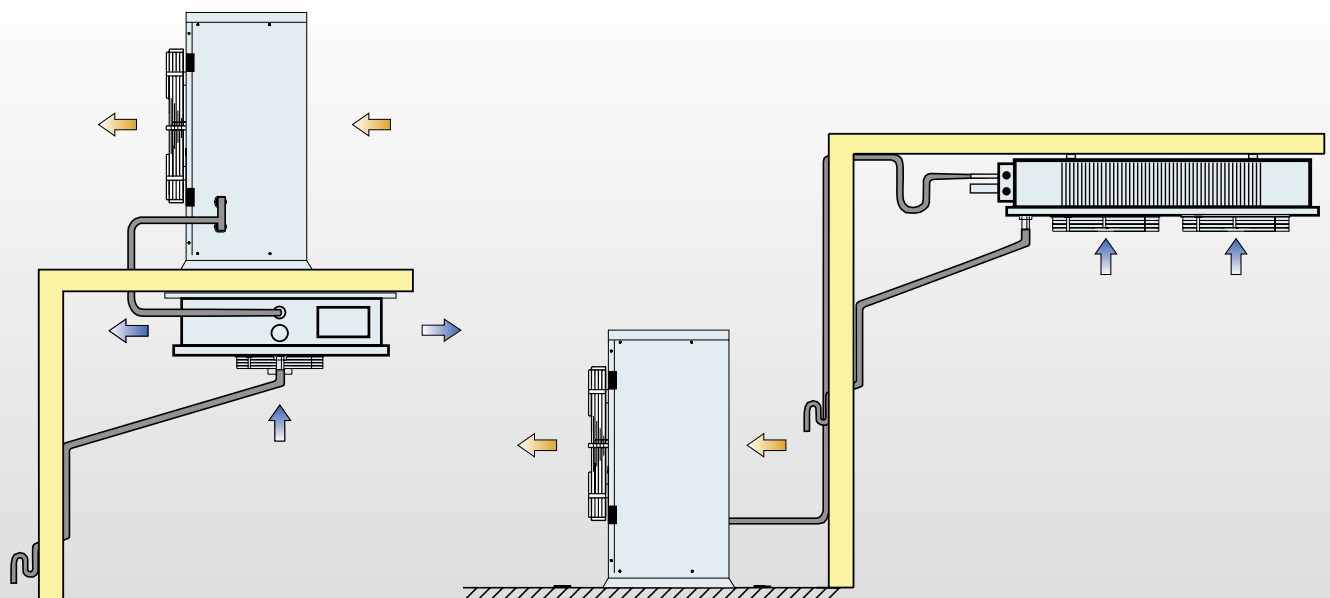
1/2 ÷ 6 HP

Potenza Frigorifera  
Refrigerating capacity

1700 ÷ 14500 W  
Ta = 32°C (Tc = +12°C)

Tipo di sbrinamento  
Defrosting type

A



# TH...DF

R404A

## Caratteristiche generali

Carenatura autoportante in acciaio elettrozincato verniciato a polvere epossidica (RAL 7035)  
 Isolamento acustico  
 Resistenza carter  
 Silenziatore sulla mandata del compressore  
 Attacchi con rubinetto a saldare  
 Evaporatore doppio flusso con ventilatori a bassa velocità  
 Sbrinamento ad aria  
 Espansione a valvola termostatica  
 Pressostato di alta a taratura fissa riarmo automatico  
 Pressostato di bassa a taratura regolabile riarmo automatico  
 Centralina elettronica di controllo  
 Pannello di controllo remoto (10m)  
 Micro porta con cavo (2,5m)  
 Luce cella con cavo (2,5m)  
 Scarico diretto dell'acqua di condensa  
 Cavo di alimentazione (2,5m)  
 Cavi di connessione evaporatore/unità condensatrice (10m)  
 imballo incluso

## Optional

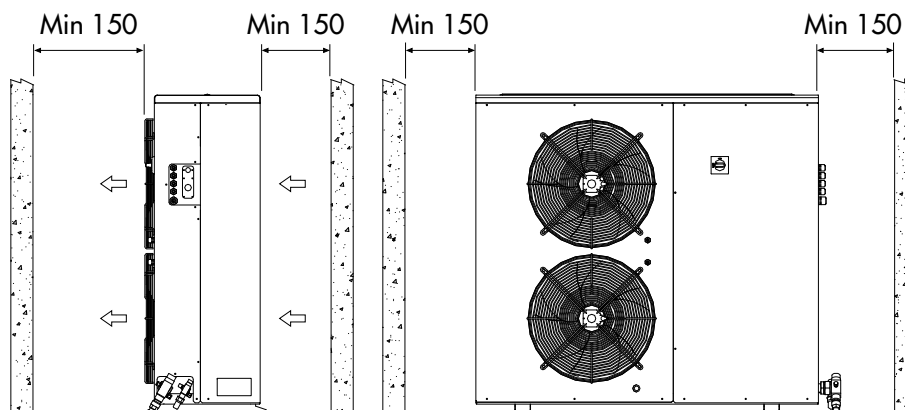
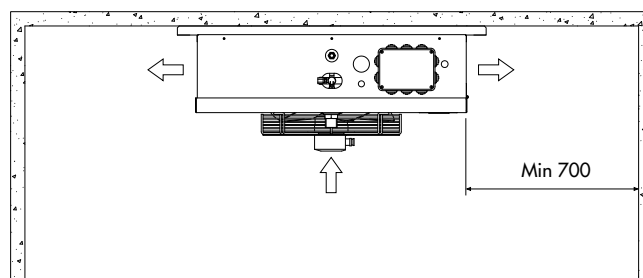
Tubazioni precaricate nelle lunghezze di 2,5/5/10m (dove disponibili)  
 Gas diverso  
 Voltaggio diverso  
 Variatore di velocità ventole condensatore  
 Staffe di montaggio per motocondensante  
 Separatore olio  
 Monitor di tensione  
 Interruttore magnetotermico differenziale  
 Predisposizione per telegestione e/o Master e Slave  
 Sistema di telegestione

## General features

Self-supporting casing in zinc plated steel varnished with epoxy powder (RAL7035)  
 Sound insulation  
 Crankcase heater  
 Muffler on the compressor discharge line  
 Shut-off valves connection to be welded  
 Dual air flow ceiling unit coolers with low speed fans  
 Air defrost  
 Thermostatic valve or capillary expansion  
 High pressure switch with fixed setting and automatic reset  
 Low pressure switch with adjustable setting and automatic reset  
 Electroni control panel  
 Remote control panel (10m)  
 Door micro switch with cable (2,5m)  
 Cold room light with cable (2,5m)  
 Condensing water direct discharge  
 Power supply cable (2,5m)  
 Connecting cables evaporator/condensing unit (10m)  
 Package included

## Optional

Pre-charged pipe connections of the following lengths 2,5/5/10m (when available)  
 Different gas  
 Different voltage  
 Condenser fan speed variator  
 Mounting brackets for condensing unit  
 Oil separator  
 Voltage monitor  
 Differential thermomagnetic switch  
 Presetting of electronic remote management and /or Master and Slave  
 Management software system



## Legenda/Legend

**Sbrinamento / Defrost**  
 A = aria / air

**Espansione / Expansion**  
 V = valvola / valve

**Tipo di compressore / Compressor type**  
 E = ermetico / hermetic

**R404A**

**TH...DF**

| R404A Code     | Voltage  | Compressor |       | PED Category | Total Absorption |       | Condenser fans<br>n° x ø m³/h | Evaporator<br>n° x ø m³/h (fm) | Weight<br>kg | Refrigeration Output/Cool room volume |                        |                        |                       |                        |                        |                       |                        |                        |                       |                        |                        |     |       |     |       |     |       |     |
|----------------|----------|------------|-------|--------------|------------------|-------|-------------------------------|--------------------------------|--------------|---------------------------------------|------------------------|------------------------|-----------------------|------------------------|------------------------|-----------------------|------------------------|------------------------|-----------------------|------------------------|------------------------|-----|-------|-----|-------|-----|-------|-----|
|                |          | HP         | kW    |              | Wh               | ln    |                               |                                |              | T <sub>a</sub> = 25°C                 |                        |                        |                       |                        | T <sub>a</sub> = 32°C  |                       |                        |                        |                       | T <sub>a</sub> = 43°C  |                        |     |       |     |       |     |       |     |
|                |          |            |       |              |                  |       |                               |                                |              | T <sub>a</sub> = +8°C                 | T <sub>a</sub> = +12°C | T <sub>a</sub> = +15°C | T <sub>a</sub> = +8°C | T <sub>a</sub> = +12°C | T <sub>a</sub> = +15°C | T <sub>a</sub> = +8°C | T <sub>a</sub> = +12°C | T <sub>a</sub> = +15°C | T <sub>a</sub> = +8°C | T <sub>a</sub> = +12°C | T <sub>a</sub> = +15°C |     |       |     |       |     |       |     |
|                |          |            |       |              |                  |       |                               |                                |              | W                                     | W                      | W                      | W                     | W                      | W                      | W                     | W                      | W                      | W                     | W                      | W                      | W   |       |     |       |     |       |     |
| THUH135Z0211DF | 230/1/50 | 1/2        | 0,370 | 1            | 842              | 4,41  | 1x350 1699                    | 2x250 1052                     | 4,0          | 71                                    | 1701                   | 17                     | 1883                  | 19                     | 2014                   | 20                    | 1541                   | 15                     | 1705                  | 17                     | 1824                   | 18  | 1277  | 13  | 1411  | 14  | 1510  | 15  |
| THUH135Z0311DF | 230/1/50 | 1          | 0,735 | 1            | 1292             | 6,16  | 1x350 1524                    | 2x250 1052                     | 4,0          | 83                                    | 2537                   | 25                     | 2790                  | 28                     | 2966                   | 30                    | 2310                   | 23                     | 2538                  | 25                     | 2699                   | 27  | 1928  | 19  | 2115  | 21  | 2248  | 22  |
| THUH140Z0212DF | 400/3/50 | 1,12       | 0,825 | 1            | 1666             | 4,26  | 1x400 2734                    | 3x250 1621                     | 8,0          | 106                                   | 3437                   | 34                     | 3807                  | 38                     | 4078                   | 41                    | 3121                   | 31                     | 3460                  | 35                     | 3709                   | 37  | 2594  | 26  | 2880  | 29  | 3091  | 31  |
| THUH140Z1212DF | 400/3/50 | 1,25       | 0,920 | 1            | 1859             | 4,88  | 1x400 2734                    | 3x250 1621                     | 8,0          | 107                                   | 3768                   | 38                     | 4146                  | 41                     | 4418                   | 44                    | 3426                   | 34                     | 3768                  | 38                     | 4015                   | 40  | 2851  | 29  | 3133  | 31  | 3338  | 33  |
| THUH140Z0312DF | 400/3/50 | 2          | 1,470 | 1            | 2708             | 6,64  | 1x400 2580                    | 4x250 2161                     | 10,0         | 125                                   | 5249                   | 52                     | 5857                  | 59                     | 6273                   | 63                    | 4756                   | 48                     | 5313                  | 53                     | 5697                   | 57  | 3932  | 39  | 4402  | 44  | 4731  | 47  |
| THUH145Z0312DF | 400/3/50 | 2,75       | 1,840 | 1            | 3630             | 8,37  | 1x450 4031                    | 3x350 4100                     | 10,0         | 152                                   | 7223                   | 72                     | 8047                  | 80                     | 8632                   | 86                    | 6543                   | 65                     | 7298                  | 73                     | 7839                   | 78  | 5416  | 54  | 6057  | 61  | 6519  | 65  |
| THUH145Z0412DF | 400/3/50 | 3          | 2,200 | 1            | 4587             | 10,93 | 1x450 3827                    | 3x350 4100                     | 10,0         | 159                                   | 8559                   | 86                     | 9496                  | 95                     | 10149                  | 101                   | 7791                   | 78                     | 8650                  | 87                     | 9251                   | 93  | 6509  | 65  | 7231  | 72  | 7742  | 77  |
| THUH245Z0312DF | 400/3/50 | 4,5        | 3,310 | 2            | 5779             | 12,76 | 2x450 7125                    | 4x350 5354                     | 11,0         | 201                                   | 11535                  | 115                    | 12904                 | 129                    | 13885                  | 139                   | 10388                  | 104                    | 11640                 | 116                    | 12542                  | 125 | 8441  | 84  | 9487  | 95  | 10251 | 103 |
| THUH245Z0412DF | 400/3/50 | 5          | 3,675 | 2            | 6582             | 13,97 | 2x450 6575                    | 5x350 6550                     | 12,0         | 214                                   | 13077                  | 131                    | 14644                 | 146                    | 15742                  | 157                   | 11799                  | 118                    | 13224                 | 132                    | 14230                  | 142 | 9643  | 96  | 10823 | 108 | 11667 | 117 |
| THUH245Z1412DF | 400/3/50 | 6          | 4,410 | 2            | 7136             | 15,11 | 2x450 6575                    | 5x350 6550                     | 12,0         | 221                                   | 14214                  | 142                    | 15847                 | 158                    | 16978                  | 170                   | 12940                  | 129                    | 14447                 | 144                    | 15501                  | 155 | 10808 | 108 | 12103 | 121 | 13022 | 130 |

Condizioni di calcolo rese e assorbitimenti (MBP): temp. gas aspirato -20°C, senza sottoraffreddamento del liquido, surriscaldamento utile 100%  
Capacity and absorption calculation conditions (MBP): suction gas temp. +20°C without liquid subcooling, 100% useful heat

**MBP**